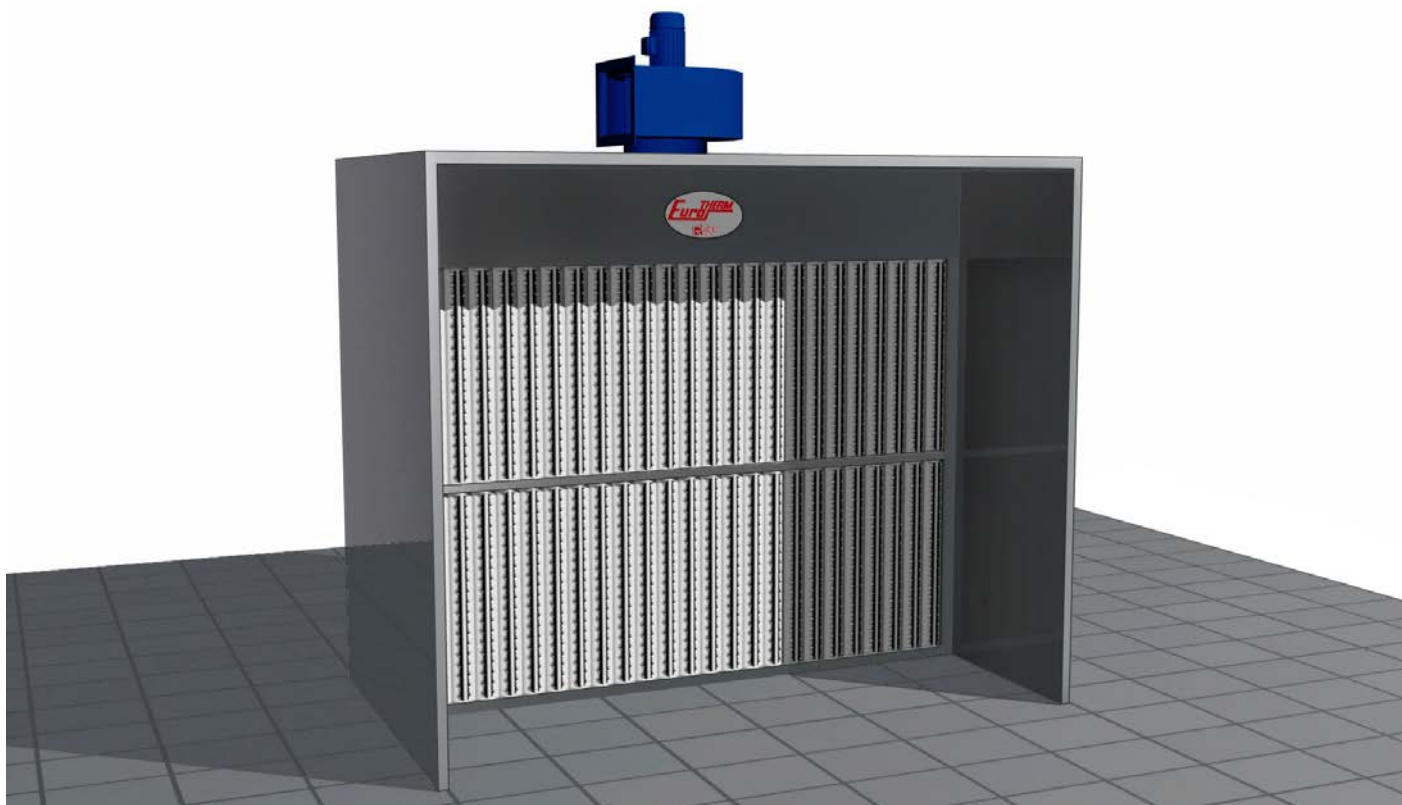


## PAINTING BOOTHS WITH DRY FILTRATION



Professional grade with double filter stage as standard



Standard extraction wall



Sidewalls and roof extension



For large components



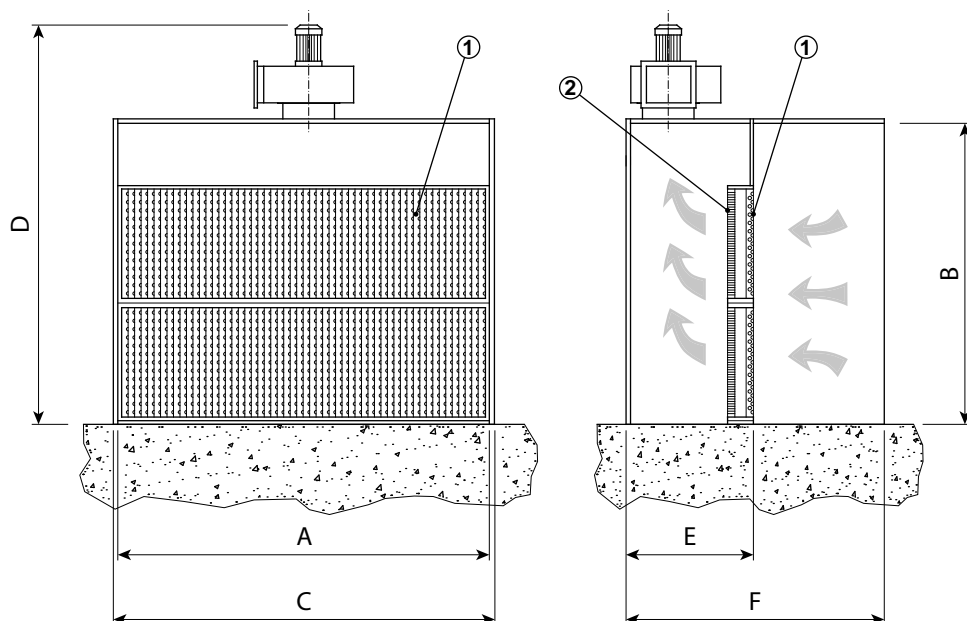
Customized solutions

### OPTIONAL ACCESSORIES

- Extraction ducts with silencers
- Extension of sidewalls and roof with 1000mm module
- Neon light IP 65, 1500 mm length with 2 x 58 W neon lamps
- Electric control board CE CRAM
- Wall holding device for spray gun with automatic fan switch-off
- Painted extraction wall

### NOTES

- Spark proof fan
- Second filtration with fiber-glass filters
- Differential manometer for indicating filters replacement
- Supplied as assembly kit
- Construction of extraction wall of galvanized steel sheet
- Technical characteristics and dimensions are given as indication and can be changed for improvement or update without notice



- ① FILTER PAPER
- ② FILTERS IN FIBER-GLASS

## DESCRIPTION OF EQUIPMENT

Model	Useful dimensions		Overall dimensions			
	A	B	C	D	E	F
Eurodry 1,5	1.500	2.186	1.580	2.939	790	1.790
Eurodry 2	2.000	2.186	2.080	3.009	790	1.790
Eurodry 2,5	2.500	2.186	2.580	3.009	790	1.790
Eurodry 3	3.000	2.186	3.080	3.056	790	1.790
Eurodry 4	4.000	2.186	4.080	3.056	790	1.790
Eurodry 5	5.000	2.186	5.080	3.009	790	1.790

## TECHNICAL DATA

Model	Air capacity	Fans	Electrical power	Second filtration filters
	m <sup>3</sup> /h	nb	kW	nb
Eurodry 1,5	6.000	1	1,5	6
Eurodry 2	8.000	1	2,2	8
Eurodry 2,5	10.000	1	2,2	10
Eurodry 3	12.000	1	3	12
Eurodry 4	16.000	1	4	16
Eurodry 5	20.000	2	2,2 + 2,2	20